



# **LEVEL GAUGE GLASS & SIGHT GLASS**



## **ABOUT US**

We OVICTOR TECHNICAL GLASS was started from 2008, are specialized leading manufacturer of different kinds of sight Glass, gauge glass and related gasket in China. Our product has been export to more than 11 countries and areas including USA, England, Australia and Spain. Our product quality compare favourably with European's, and the price is much more competitive than them. Our production capacity is 500, 000 pcs per year. We cordially welcome the opportunity to cooperate with you on the basis of mutual benefit and good reputation.

## **CATALOG**

### ➤ **Reflex Type Gauge Glass**

Four Grooves / Five Grooves

### ➤ **Flat Type Gauge Glass**

### ➤ **Round Type Sight Glass**

### ➤ **Gasket for Gauge Glass & Sight Glass**

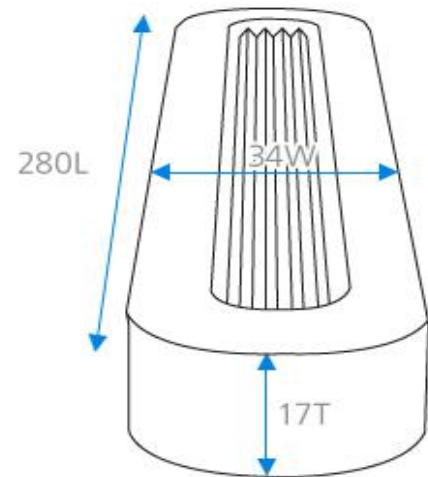
Graphite Sealing Gasket / Non-Asbestos Cushion Gasket/ Asbestos Cushion Gasket



## Reflex Type Gauge Glass



| No | Code   | Length | Width | Thickness |
|----|--------|--------|-------|-----------|
|    |        | mm     | mm    | mm        |
| 0  | B/A-0  | 95     | 34/30 | 17        |
| 1  | B/A-1  | 115    | 34/30 | 17        |
| 2  | B/A-2  | 140    | 34/30 | 17        |
| 3  | B/A-3  | 165    | 34/30 | 17        |
| 4  | B/A-4  | 190    | 34/30 | 17        |
| 5  | B/A-5  | 220    | 34/30 | 17        |
| 6  | B/A-6  | 250    | 34/30 | 17        |
| 7  | B/A-7  | 280    | 34/30 | 17        |
| 8  | ---    | 300    | 34/30 | 17        |
| 9  | B/A-8  | 320    | 34/30 | 17        |
| 10 | B/A-9  | 340    | 34/30 | 17        |
| 11 | B/A-10 | 370    | 34/30 | 17        |
| 12 | ---    | 400    | 34/30 | 17        |



Code B means Width=34mm

Code A means Width=30mm

PS: Special size is available, Length width and thickness can be adjusted.

### Main Data

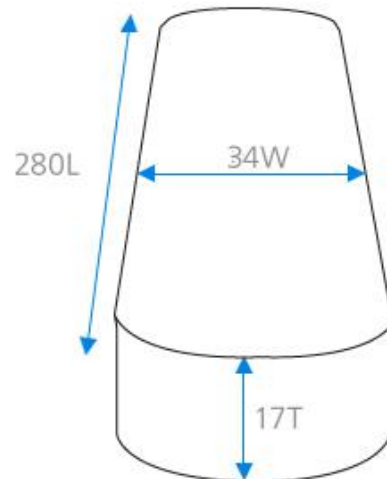
- **Unprotected level gauge glasses Working Pressure 35 bar at 260 °C.**
- **Tensile Bending Strength  $\geq 150 \text{ N/mm}^2$**
- **Compressive Prestress  $\geq 80 \text{ N/mm}^2$**
- **Max. Service Temperature 300 °C.**



## Flat Type Gauge Glass



| No | Code   | Length | Width | Thickness |
|----|--------|--------|-------|-----------|
|    |        | mm     | mm    | mm        |
| 0  | B/A-0  | 95     | 34/30 | 17        |
| 1  | B/A-1  | 115    | 34/30 | 17        |
| 2  | B/A-2  | 140    | 34/30 | 17        |
| 3  | B/A-3  | 165    | 34/30 | 17        |
| 4  | B/A-4  | 190    | 34/30 | 17        |
| 5  | B/A-5  | 220    | 34/30 | 17        |
| 6  | B/A-6  | 250    | 34/30 | 17        |
| 7  | B/A-7  | 280    | 34/30 | 17        |
| 8  | ---    | 300    | 34/30 | 17        |
| 9  | B/A-8  | 320    | 34/30 | 17        |
| 10 | B/A-9  | 340    | 34/30 | 17        |
| 11 | B/A-10 | 370    | 34/30 | 17        |
| 12 | ---    | 400    | 34/30 | 17        |



Code B means Width=34mm

Code A means Width=30mm

PS: Special size is available, Length width and thickness can be adjusted.

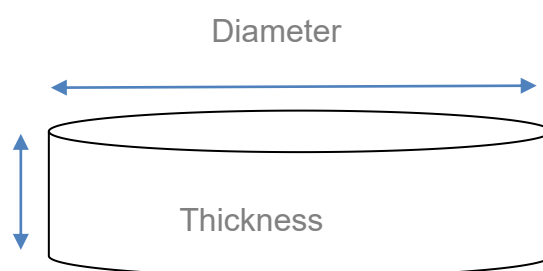
### Main Data

- **Mica protected level gauge glasses Working Pressure 100 bar at 300 °C.**
- **Tensile Bending Strength  $\geq 150$  N/mm<sup>2</sup>**
- **Compressive Prestress  $\geq 80$  N/mm<sup>2</sup>**
- **Max. Service Temperature 300 °C.**



## Round Type Sight Glass

| Glass          |                 | Pressure<br>bar | Gasket     |            |                 |
|----------------|-----------------|-----------------|------------|------------|-----------------|
| Diameter<br>mm | Thickness<br>mm |                 | O.D.<br>mm | I.D.<br>mm | Thickness<br>mm |
| 31,75          | 12,7            | 175             | -          | -          | -               |
| 40             | 12              | 50              | 42         | 30         | 1,5             |
| 45             | 10              | 40              | 47         | 32         | 1,5             |
| 45             | 12              | 50              | 47         | 32         | 1,5             |
| 50             | 10              | 25              | 52         | 35         | 1,5             |
| 50             | 12              | 40              | 52         | 35         | 1,5             |
| 60             | 10              | 16              | 62         | 45         | 1,5             |
| 60             | 12              | 25              | 62         | 45         | 1,5             |
| 60             | 15              | 40              | 62         | 45         | 1,5             |
| 63             | 10              | 16              | 65         | 48         | 2               |
| 63             | 12              | 25              | 65         | 48         | 2               |
| 63             | 15              | 40              | 65         | 48         | 2               |
| 70             | 12              | 25              | 72         | 55         | 2               |
| 80             | 12              | 16              | 82         | 65         | 2               |
| 80             | 15              | 25              | 82         | 65         | 2               |
| 80             | 20              | 40              | 82         | 65         | 2               |
| 90             | 10              | 10              | 92         | 75         | 2               |
| 100            | 10              | 8               | 102        | 80         | 2               |
| 100            | 15              | 16              | 102        | 80         | 2               |
| 100            | 20              | 25              | 102        | 80         | 2               |
| 100            | 25              | 40              | 102        | 80         | 2               |
| 110            | 20              | 25              | 112        | 90         | 2               |
| 120            | 10              | 8               | 122        | 100        | 2               |
| 125            | 15              | 10              | 127        | 100        | 2               |
| 125            | 20              | 16              | 127        | 100        | 2               |
| 125            | 25              | 25              | 127        | 100        | 2               |
| 150            | 15              | 8               | 152        | 125        | 2               |
| 150            | 20              | 10              | 152        | 125        | 2               |
| 150            | 25              | 16              | 152        | 125        | 2               |
| 150            | 30              | 25              | 152        | 125        | 2               |
| 170            | 15              | 8               | 172        | 140        | 2               |
| 175            | 20 25           | 10              | 177        | 150        | 2 2             |
| 175            | 30              | 16              | 177        | 150        | 2               |
| 175            | 20              | 25              | 177        | 150        | 2               |
| 200            |                 | 8               | 202        | 175        |                 |

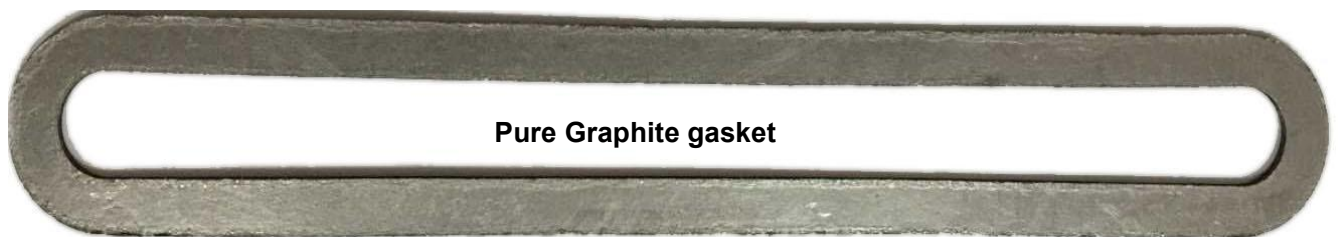
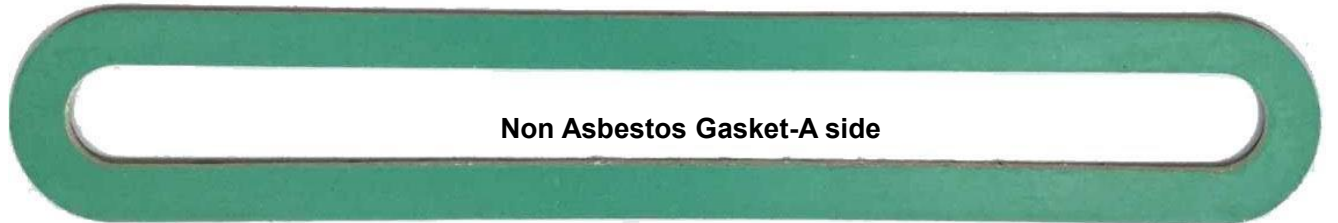


### Main Data

- **Working pressure:**  
Depends on thickness and Diameter
- **Max. Working temperature:** 300 °C  
(Borosilicate)
- **Material:**  
Borosilicate, Pyrex, quartz, soda-lime
- **Treatment:**  
Tempered & non-tempered  
Polished & non-polished



## Gasket Cushion & Mica shields



**Attention:** Special size is available and we need your detailed Drawing.

Material: Non asbestos rubber / asbestos rubber / graphite / Mica





## Printing & Packing Details

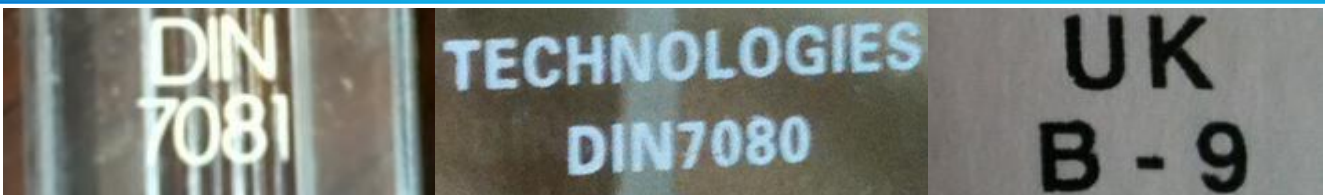
### Safe Packing

- Each glass is packed in a white box, then 50 or 100pcs in a carton.
- it is available to be packed in a fumigation-free wooden case when the order > 500pcs.



### Printing

- It is available to print on the gauge glass & sight glass as your requirement.
- It is available to print on the white box.
- It is available to make label according to your requirement.





## Contact Information



## OVICTOR TECHNICAL GLASS

**Contact:** Mr Alex Zhang (sale manager)

**Add.:** Tengda east 16-1-1605 ,Qianjin Street, Hengshui, Hebei, China 053000

**Mob/ Whatsapp:**+86-13171716031 **ICQ:** 567753514 **Skype:** ming-pearl@hotmail.com

**Email:** alex@gage-glass.com mingpearl.z@gmail.com

**Website:** www.gage-glass.com

